

Cellular Shades

SLUMBERSHADE

with energy saving blackout sidetracks



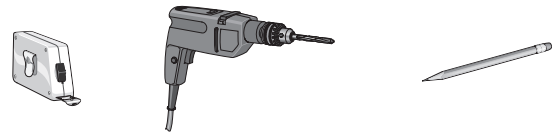
Installation & Care Instructions

152110 E
9/14/2017

GETTING STARTED

A few simple tools are required:

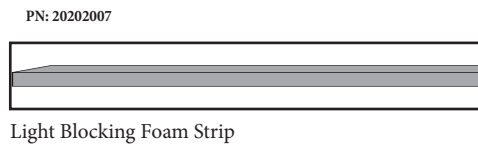
- Measuring tape
- Power drill, drill bits
- 1/4" Hex head and/or Phillips driver bit
- Pencil



Additional fasteners other than those sent with your shade may be required depending on the mounting surface. Wallboard and plaster require the use of anchors such as expansion or toggle bolts. Brick, tile or stone need special plugs and drill bits. Remember to always pre-drill holes in wood to avoid splitting.

PN: CS707(std rail) XCS707 (lg. rail)	PN: CS4051	PN: 20201012	PN: CS640(W,B or T) & CS614	PN: CS640(W,B or T) & CS614	PN: CS615
Standard and Top-Down Bottom Up Installation Bracket	Cord Loop, Cordless and Cordless Top-Down/Bottom Up Installation Bracket	1 1/4" Hex Head Bracket Screw	Left Side Track Rail with Magnet	Right Side Track Rail with Magnet	Magnet with Foam Tape

The minimum required depth for installation is 1 1/2" for cordlock shades and 1 5/8" for cordloop and cordless shades. The minimum depth required for fully recessed installation is 2" for cordlock with 1 1/2" rail, 2 3/8" for cordlock with 2" rail or 2 1/4" for cordloop and cordless shades.



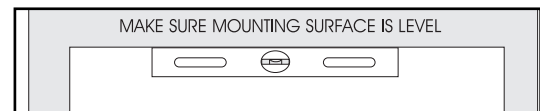
STEP 1: BRACKET INSTALLATION

Shades are shipped with the required number of brackets for proper installation. End brackets should be located with centerlines 3 1/2" in from each end. Depending on the width of the shade, additional brackets may be necessary evenly spaced between the two end brackets.

Using the installation bracket as a template, measure to the center of the bracket and mark the hole locations with a pencil for drilling.

Brackets must be in line and level. Shim brackets if necessary. The head rail must be level for the shade to operate properly.

Shade Width	# of Brackets
Up to 40"	2
>40" - 72"	3
>72" - 84"	4
>84" and up	5

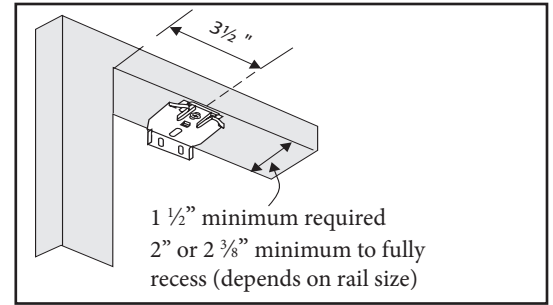


STANDARD BRACKETS

The brackets are mounted flat against the top sill surface.

The minimum depth required is 1 1/2".

To fully recess the shade requires a flat surface with a minimum depth of 2" for shades with 1 1/2" rail and 2 3/8" for shades with 2" rail.

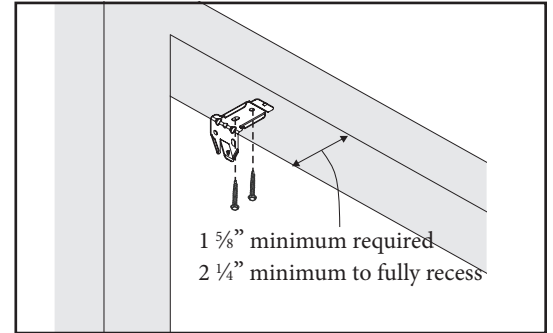


CORD LOOP AND CORDLESS BRACKETS

The brackets are mounted flat against the top sill surface.

The minimum depth required is 1 5/8". If you are installing as a shallow mount, you may want to use additional fuzz bar or light blocking foam strip to improve light blocking effect. It may be attached to the back of the head rail or window casing.

To fully recess the shade requires a flat surface with a minimum depth of 2 1/4".



STEP 2: SHADE INSTALLATION

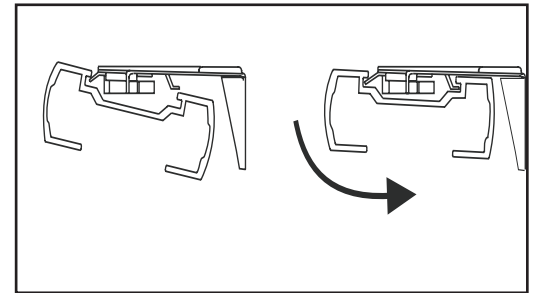
Unwind the cord from the shade. Bring the head rail up near the installation brackets. Center the shade in the window opening and attach the head rail to the installation brackets.

STANDARD BRACKETS

Insert the front clip of the installation bracket into the front groove of the rail.

Push the rail back and up until the back clips of the bracket are inserted in the back groove of the rail.

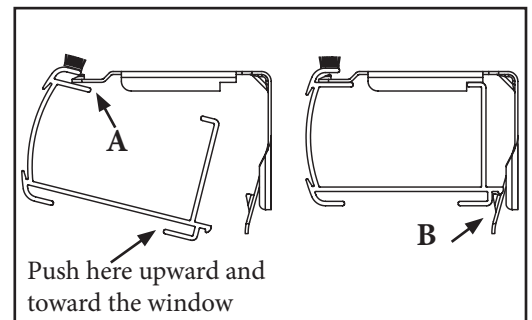
It may be more difficult to properly engage the rail into the brackets with the fuzz bar attached. Make sure to double check the engagement to ensure safety.



CORD LOOP AND CORDLESS BRACKETS

Position the head rail with the front lip (A) resting on the top hooks of all brackets. Make sure no fabric is pinched between the bracket and head rail.

Push the bottom of the head rail firmly upwards and toward the window until the groove at the bottom of the head rail snaps into place, (B) as shown.



STEP 3: TRACK MOUNTING

Determine the proper orientation of the tracks.

The end of the track that is notched is the top. The flat side of the track goes toward the window.

NOTE: DO NOT REMOVE THE RELEASE LINER FROM THE MAGNETS YET.

Place the top (notched) end of the track into the slotted end cap and rail and carefully slide up into place (Fig 1). The front leg of the track goes into the slot on the end caps, the back leg of the track goes to the side of the end cap.

While holding the track in place, making sure that it is straight up and down, mark the position of the track on the window frame. Repeat for other side.

Remove the shade from the brackets.

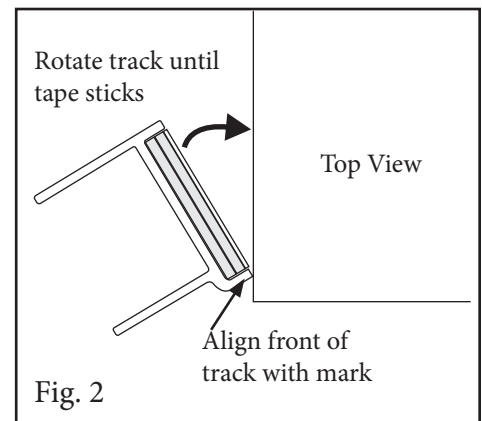
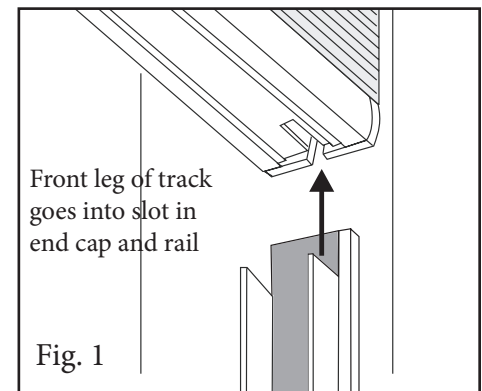
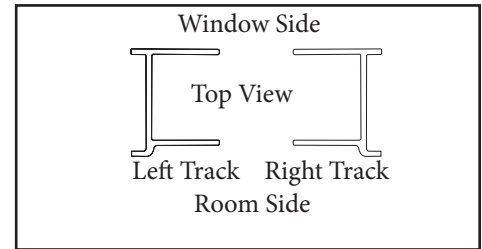
Peel the release liner back from the magnet.

Carefully line the front edge of the track up to marks on the frame without letting the tape touch the window frame (Fig 2).

When correctly lined up, press the tape against the frame. Push firmly from top to bottom to ensure good adhesion.

If the magnet does not seem secure with the foam tape alone, it can be secured with T-50 Monel staples (not included), $\frac{3}{8}$ " long, spaced every 4 inches.

Repeat for the other track.



STEP 4: RE-INSTALL SHADE

FOR SHADES WITH STANDARD BRACKETS ONLY

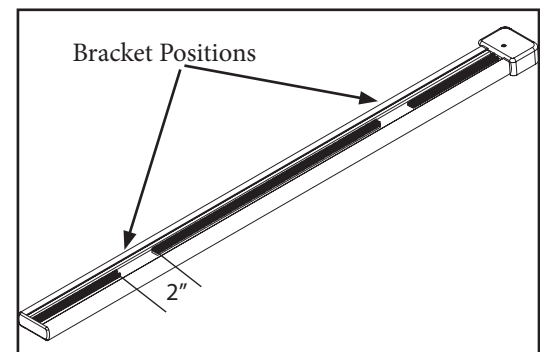
If you are finding it too difficult to get the head rail to engage in the brackets, you may trim away the fuzzbar at the bracket locations.

FOR ALL SHADES

Remove the tracks from the magnets and reinstall the shade.

Carefully slide the top of the track into the slot in the shade and push up.

Let the track snap onto the magnet. Repeat for the other side.



STEP 5: CORDLESS SHADES ONLY

ATTACH HANDLES

Using the handle attachment method below is especially important when attaching handles to shades with fabric wrapped rails, and will ensure that the fabric wrap is not damaged.

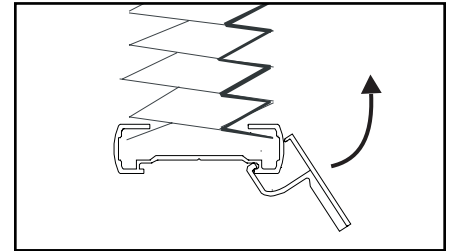
Carefully determine the placement of the handles. The bottom rail needs 2 handles, which should be placed near the ends of the rail or as far from center as is comfortable to operate. If shade is a top down - bottom up, attach one handle to the center of the middle moving rail if the shade is less than 48" wide or attach two handles if the shade is over 48" wide.

Attempting to move handles after they have been installed may cause damage to the fabric on the rails.

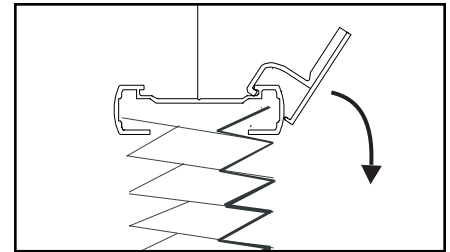
Gently lift the shade fabric out of the way. Hook the handle on the underside of the rail and swing up as shown, until the top of the handle snaps securely in place,

If the shade is a top down - bottom up, repeat the process for the handle on the middle rail.

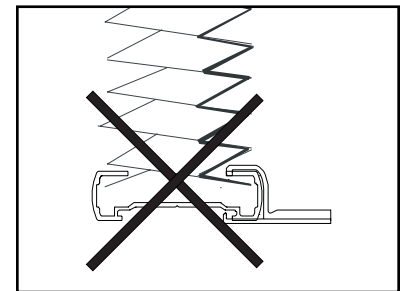
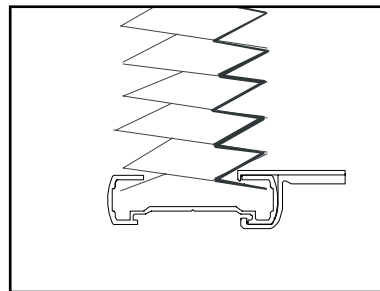
The handle will sit approximately $\frac{1}{2}$ " above the window sill when the shade is fully lowered. This allows easy access for grasping the handle when raising the shade.



Bottom Rail



Middle Rail

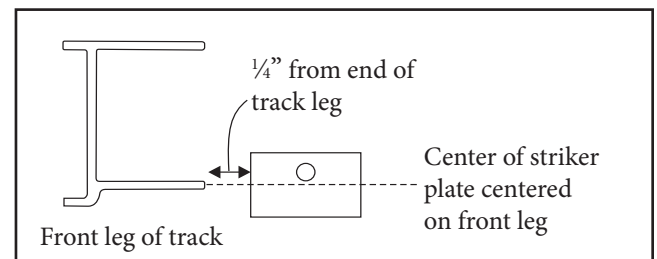


ATTACH STRIKER PLATES

Cordless shades have magnets on both ends of the bottom rail. The magnets hold the bottom rail down securely to minimize light leakage.

The striker plates should be positioned as shown.

Mark the positions of the screw holes. Pre-drill with a $\frac{3}{32}$ " drill bit. Attach the striker plates to the sill with the included screws. If they can not be attached with screws, a double sided foam adhesive (not included) can be used.

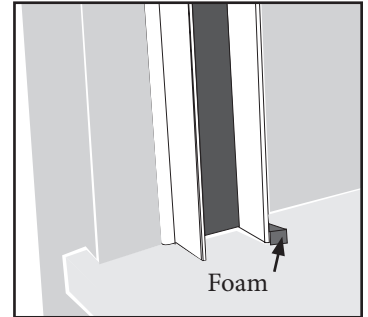


STEP 6: IMPORTANT: FILL LIGHT GAPS

The Cellular SlumberShade is designed to block light gaps with the energy saving blackout tracks. However, not all windows are perfectly square and light gaps may still exist. To block these light gaps, use the foam that is provided.

We recommend placing foam on the sill directly behind the side tracks.

Use the rest of the foam as needed to block light.



OPERATION

STANDARD SHADES

To lower or release shade, pull the cord inward toward the center of the shade. To raise or lock the shade, pull the cord straight down and outward toward the edge of the shade.

TOP DOWN - BOTTOM UP

One cord will raise or lower the bottom rail, the other cord will raise or lower the top. Pull the cord inward toward the center of the shade to lower or release shade. Pull the cord straight down and outward toward the edge of the shade to raise or lock the shade.

CORD LOOP SHADES

Operate the shade by pulling down on one side of the cord. The front cord raises the shade, the rear cord lowers the shade. Do not lift the bottom rail with your hands. Also, be careful not to place objects on the window sill that will interfere with operating the shade or cause it to hang unevenly.

CORD LOOP SHADES TOP DOWN - BOTTOM UP

Operate the shade by pulling down on one side of the cord. The front cord raises the shade, the rear cord lowers the shade. On top down - bottom up shades, the right cord controls the middle rail and the left cord controls the bottom rail. Do not lift the bottom rail with your hands. Also, be careful not to place objects on the window sill that will interfere with operating the shade or cause it to hang unevenly.

CORDLESS SHADES

To lower the shade, pull down on the handles which are secured to the bottom rail. To raise the shade, push the bottom rail up. Be sure to lift evenly, using both handles. The shade will hold at any position when the bottom rail is released.

CORDLESS SHADES TOP DOWN - BOTTOM UP

To lower the bottom of the shade, pull down on the handles which are secured to the bottom rail. To lower the middle rail, pull down on the handle which is secured to the middle rail. To raise the shade, push the middle and/or bottom rail up. Be sure to lift the bottom rail evenly, using both handles. The shade will hold at any position when the middle or bottom rail is released.

CHILD SAFETY



WARNING

To avoid entanglement and strangulation, **keep cords out of reach of young children.** Move cribs and furniture away from shade cords.

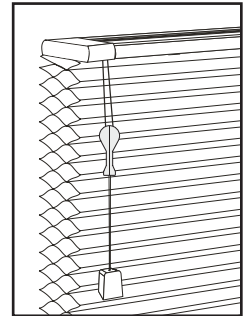
CORDLOCK SHADES

BREAKTHROUGH CORD CONNECTOR

To further reduce hazards, this shade was built with a cord connector which was designed to break apart when force is applied from the top.

No safety system is fail safe. KEEP CORDS OUT OF REACH OF YOUNG CHILDREN.

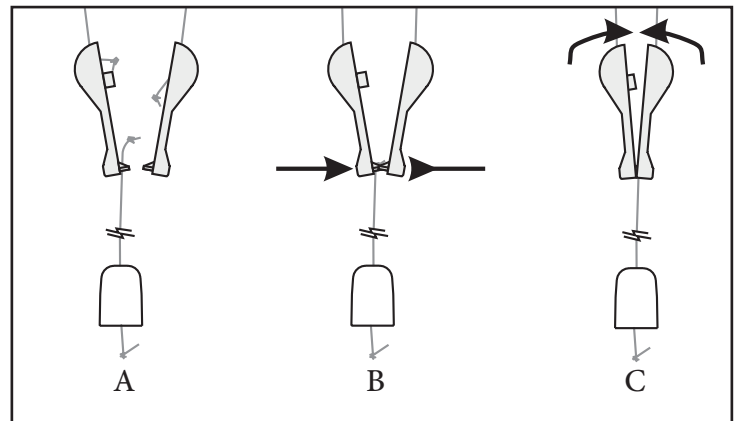
If your cord connector should happen to break apart, follow the instructions below to reassemble.



A) When the connector is open, each side has a cord coming in at the top, one side has a cord coming in from the bottom.

B) Fit the bottom edges together. The side with the cord fits into the side without the cord.

C) Swing the top ends together and press in the middle to fully connect.

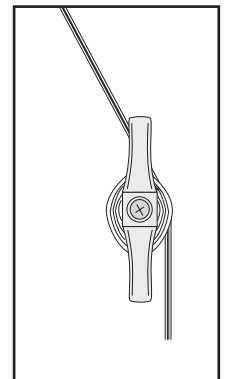


CORD CLEATS

Be aware that it is possible for children to strangle in window covering cords. To reduce the occurrence of accident, all cords must be kept out of reach of children, including infants. Cord cleats are an effective way to implement this essential precaution.

Mount the cord cleat at a safe height, taking into account furniture or other objects upon which a child may climb. Then, after each use of the shade, simply wrap the excess cord around the cleat. It's fast, easy and safe.

To protect your children, we are pleased to provide cord cleats free of charge upon request.



CORD LOOP SHADES

Install Tension Device following the instructions included in the tensioner mounting hardware packet.

The tension device reduces the hazards of strangulation and entanglement of young children by limiting access to the control cord.

Attention! The cord tensioner must be installed to make the shade fully operable.

SAFETY LABELS

In compliance with WCMA/ANSI safety standards the warning labels on the bottom rail are designed to be permanent. **DO NOT** remove the permanent warning label on the bottom rail. This assures that future owners of this product will be aware of potential dangers associated with this shade.

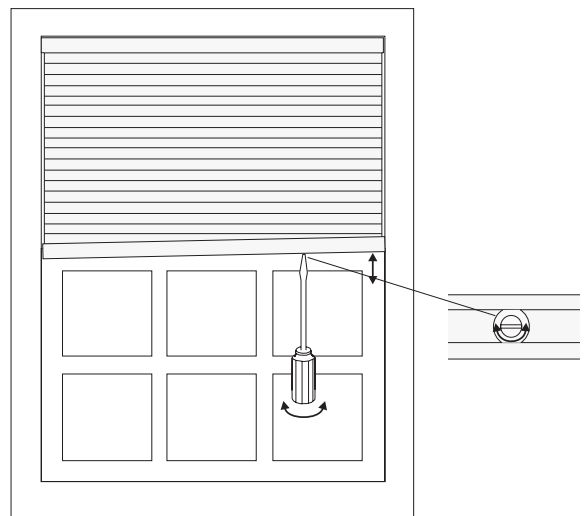
LEVEL THE BOTTOM RAIL (IF NECESSARY)

Cellular SlumberShades use a system that allows easy leveling of the bottom rail. It is designed to make slight adjustments (Less than 1") to level the moving rails of your shade. It is not designed to make length adjustments.

Use a flat head screwdriver or a coin (a quarter works best) to turn the adjustment screw to raise or lower that side of the bottom rail. The adjustment screw is on the underside of the bottom rail.

One quarter turn of the screw will move the bottom rail up or down approximately $\frac{1}{4}$ ".

Over-turning the adjustment screw (more than 1" of adjustment) can cause the cord to tangle or wedge inside the rail. The screw should turn easily - DO NOT FORCE.



TROUBLE SHOOTING

Problem: Shade is difficult to operate, especially near the top.

Repair: Brackets and side track may not be properly aligned. Adjust brackets as necessary so the track is centered in the bottom rail end cap. Check to be sure front legs of track are placed into the slot on the end cap and not in front of the fabric.

CLEANING AND CARE

The shade fabric is easy to care for. Regular dusting with a feather duster or vacuum cleaner brush is recommended. Most stains can be blotted with a damp sponge and mild detergent. Before using anything stronger than mild detergent and lukewarm water, test an unobtrusive corner of the shade. If you have any questions, call your dealer for advice.