

MARISOL PATIO AWNING

Installation Manual



MARISOL PATIO AWNING

INSTALLATION MANUAL

MARISOL PATIO AWNING

Installation Manual

1 INTRODUCTION.....	3
1.1 Symbols used in this manual.....	3
1.2 Personnel requirements.....	3
1.3 Required equipment.....	3
1.4 Contents of packaging.....	4
2 SAFETY.....	4
2.1 General safety information.....	4
2.2 Requirements for working in safety.....	4
2.3 Working environment.....	4
3 TECHNICAL TABLES FOR INSTALLATION.....	5
3.1 Table of minimum dimension.....	5
3.2 Table for no. of arms, square bar brackets and hood supports.....	5
3.3 Table for awning dimensions / component placement.....	6
3.4 Diagrams of the covering and footprints.....	9
3.5 Exploded view of Marisol Patio components.....	10
3.6 Mounting brackets.....	11
4 INSTALLATION OF MANUAL AWNING.....	12
4.1 Fastening brackets to wall.....	12
4.2 Wall installation.....	16
4.3 Adjustment of awning inclination.....	16
5 INSTALLATION OF MOTORIZED AWNING.....	18
5.1 Limit switch calibration.....	18
5.2 Electrical connections and installation.....	18
6 OPTIONALS.....	18
6.1 Automations.....	18
7 SPECIAL MAINTENANCE.....	19
7.1 Troubleshooting table.....	19



1 INTRODUCTION

This manual was prepared by the Manufacturer to provide the necessary information to those authorized to install and perform special maintenance on the product. It is prohibited to remove, rewrite or in any way modify the pages of the manual and their content.

Operations must be carried out by personnel with the technical and professional skills required by current applicable national laws or standards.

This manual must be kept complete in all its parts in an easily accessible place.

The manufacturer reserves the right to update products and corresponding manuals without the obligation to update previous manuals.

The manufacturer reserves all rights on this manual. It may not be reproduced in any way, wholly or in part, without the manufacturer's written authorization.

1.1 - Symbols used in this manual

The CAUTION symbols used in this manual are given below.

INFORMATION AND PRECAUTIONS

Useful advice and instructions to be observed to ensure proper installation and/or maintenance of the awning. Failure to observe these messages may compromise the integrity and/or the resistance of the product.

CAUTION

DANGER TO OPERATOR! Instructions to be evaluated and followed carefully. Failure to comply with these messages may compromise individual safety.

1.2 - Personnel Requirements

Personnel assigned to this operation must have technical knowledge of the product obtained either through two years' experience or by means of a suitable technical training course.

1.3 - Required Equipment

To ensure proper installation of the awning, and consequently best operation of the finished product, the following equipment is required:

- power screwdriver
- a level
- string
- complete tool set
- equipment for working at heights (scaffolding, ladders, aerial platforms, etc.) which are compliant with current standards of individual safety in the workplace.

CAUTION

All of the screws used on aluminum components must be tightened with a maximum force of 20Nm (=2Kgm). Greater tightening force causes the castings to break and damage to the stainless steel screws. It is advisable to use dynamo-metric power screwdrivers and wrenches.

CAUTION

Use low-speed power screwdrivers. Screwing in the stainless steel screws at high speed may cause the threads to jam, especially in the case of stainless steel/stainless steel and stainless steel/aluminum screws and threads.

CAUTION

In the mounting brackets with double screw, be sure to evenly screw the two fastening screws of the square bar, distributing the tightening force alternatively on the two screws up to a maximum of 20 Nm. Uneven tightening may cause abnormal tension in the casting, causing it to fail immediately, or lead to subsequent problems caused by external stress on the awning (e.g. gusts of wind).

1.4 - Contents of packaging

The awning is delivered complete with arms, fabric, control (manual or motorized) and any requested optional.

INFORMATION AND PRECAUTIONS

Never move the shoulders from the position in which they are supplied.

2 SAFETY

2.1 - General Safety Information

- During all operations described in this manual, make sure that **ONLY** individuals involved in the work are in the work zone (see Chap. 1.2 “Personnel requirements”).
- Do not set objects on the fabric of the awning.
- IT IS prohibited to stand on or hang from the awning. This would create the risk of severe personal injury, as well as damaging the awning.
- Wear personal protective equipment and clothing as required by current standards on safety in the workplace.

CAUTION

Installation, adjustment, and special maintenance of the awning must be carried out only by specialized, skilled technical personnel.

CAUTION

IT IS necessary to ensure a distance of at least 20 INCHES between the end of the fully-opened awning (outermost part) and any fixed obstacle (wall, terrace, etc.).

CAUTION

IT IS prohibited to install or place ladders or other objects near the awning, as this would reduce the space required for installation.

CAUTION

Never loosen the awning more than the tension in the arms as there is the risk that the awning return under the tube and be ruined.

2.2 Requirements for working in safety

- Before use, check that all temporary structures (scaffolding, ladders, etc.) and all individual safety gear (harnesses, belts, etc.) are compliant with standards and in good condition.
- Do not set objects on the fabric of the awning.
- Always use suitable individual protection gear.
- If there is more than one installation technician, their work must be coordinated.
- Operators must work in compliance with the safety instructions given to them.
- If the awning is to be installed above ground level, the area underneath the awning must be marked off and guarded so that no one can get underneath the hanging load.
- Firmly tie the ropes or straps around the arm supports so that it does not slip and risk falling.

2.3 Working environment

- Installation and special maintenance must be carried out in a place that is sufficiently illuminated (based on specific standards) by either natural or artificial lighting. The operator must have a clear view of the work to be performed, and he must also prevent third persons from approaching the work area around the awning.

3 TECHNICAL TABLES FOR INSTALLATION

3.1 - Table of minimum dimensions

MINIMUM FOOTPRINTS	
PROJECTION	WIDTH (in)
ARM	1 PAIR OF ARMS
6'11"	95
8'6"	115
10'2"	134
11'9"	154
13'5"	174

INFORMATION AND PRECAUTIONS

It is advisable always to use an even number of arms.

3.2 Table of no. of arms, mounting brackets, tube balance supports and hood supports

PROJECTION	COMPONENTS	Width (in)								
		157	196	236	275	315	354	393	433	472
6'11"	Arms	2	2	2	4	4	4	4	4	6
	Mounting Brackets	3	4	4	4	6	6	6	6	8
	Tube Balance Support	-	1	1	1	1	2	2	2	3
	Hood Supports	4	5	5	6	6	7	8	9	9
8'6"	Arms	2	2	2	4	4	4	4	4	6
	Mounting Brackets	3	4	4	4	6	6	6	6	8
	Tube Balance Support	-	1	1	1	1	2	2	2	3
	Hood Supports	4	5	5	6	6	7	8	9	9
10'2"	Arms	2	2	2	3	4	4	4	4	6
	Mounting Brackets	3	4	6	6	8	7	8	8	9
	Tube Balance Support	-	1	1	1	2	2	2	2	3
	Hood Supports	4	5	5	6	6	7	8	9	9
11'9"	Arms	-	2	2	3	3	4	4	4	5
	Mounting Brackets	-	4	6	6	7	7	8	8	9
	Tube Balance Support	-	1	1	1	1	2	2	3	3
	Hood Supports	-	5	5	6	6	7	8	9	9
13'5"	Arms	-	2	2	3	3	3	4	4	5
	Mounting Brackets	-	4	6	6	7	7	8	8	9
	Tube Balance Support	-	1	1	1	1	2	2	3	3
	Hood Supports	-	5	5	6	6	7	8	9	9

For a correct installation it is advisable to follow the instructions here above.

MARISOL PATIO AWNING

Installation Manual

3.3 Table of awning dimensions / component placement

⚠ WARNING

THE FOLLOWING TABLES ARE PURELY INDICATIVE. TO THE BEST OF OUR KNOWLEDGE THE INFORMATION IS UP TO DATE BLINDSGALORE DOES NOT PROVIDE ANY GUARANTEE REGARDING ACCURACY, RELIABILITY, AND COMPLETENESS OF THE INFORMATION CONTAINED HEREIN. INDEED, IT IS THE USER'S RESPONSIBILITY TO ENSURE THE SUITABILITY AND CORRECTNESS OF THIS INFORMATION.

ⓘ INFORMATION AND PRECAUTIONS

For the number of accessories to install on the awning, please refer to the table on page 4.

⚠ WARNING

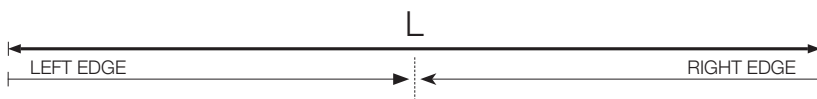
Distribute the HOOD SUPPORTS evenly throughout the width of the awning. If the position of the supports coincides with that of the mounting brackets, position them adjacent to the latter. If the TUBE BALANCE SUPPORTS coincides with that of a deck seam, position the support centered directly over the deck seam.

⚠ WARNING

The awning is tested in its maximum size of no more than 236 in.

ⓘ INFORMATION AND PRECAUTIONS

Determine the center point of the overall width of the square bar for proper component placement. Component placement goes from square bar edge to center and is the identical on both sides of awning.



Width = Larghezza in Italian
"L"

2 ARMS	COMPONENT PLACEMENT	WIDTH up to 118 (in)
	Adjustable Shoulders	12
	Mounting Brackets (2)	7
	Additional Mounting Bracket	Center

2 ARMS	COMPONENT PLACEMENT	WIDTH up to 157 (in)		
		6'11"	8'6"	10'2"
	Adjustable Shoulders	20	12	12
	Mounting Brackets (2)	12	12	5
	Additional Mounting Bracket	Center	Center	Center

2 ARMS	COMPONENT PLACEMENT	WIDTH up to 196 (in)				
		6'11"	8'6"	10'2"	11'9"	13'5"
	Adjustable Shoulders	24	24	24	20	10
	Mounting Brackets (2)	12 61	12 61	12 61	12 61	6 61
	Tube Balance Support	Center	Center	Center	Center	Center

MARISOL PATIO AWNING

Installation Manual

2 ARMS	COMPONENT PLACEMENT	WIDTH up to 236 (in)												
		6'11"		8'6"		10'2"	11'9"	13'5"						
	Adjustable Shoulders	28		28		28	28	28						
	Mounting Brackets (4) (6)	10	73	10	73	10	45	89	10	45	89	10	45	89
	Tube Balance Support	Center		Center		Center		Center		Center				

4 ARMS	COMPONENT PLACEMENT	WIDTH up to 275 (in)					
		6'11"		8'6"			
	Adjustable Shoulders	28		120		18	130
	Mounting Brackets (4)	10		81		10	81
	Tube Balance Support	Center		Center			

3 ARMS	COMPONENT PLACEMENT	10'2"		11'9"			13'5"			
		Adjustable Shoulders	18		18			7		
		3rd Adjustable Shoulder*	150*		170*			178*		
		Mounting Brackets (6) (4)	7	40	100	7	40	100	3	40
		Additional Mounting Bracket*							100*	
		Additional Mounting Bracket*							170*	
Tube Balance Support*	157		179			183				

*Measure from left edge

4 ARMS	COMPONENTS PLACEMENT	WIDTH up to 315 (in)									
		6'11"		8'6"		10'2"					
	Adjustable Shoulders	28		120		28	140	18	150		
	Mounting Brackets (6) (8)	12	70	128	12	70	128	12	57	113	155
	Tube Balance Supports (2)	Center		Center		Center		160			

3 ARMS	COMPONENT PLACEMENT	11'9"			13'5"			
		Adjustable Shoulders	18			18		
		3rd Adjustable Shoulder*	170*			190*		
		Mounting Brackets (6)	11	57	113	11	57	113
		Additional Mounting Bracket*	155*			155*		
Tube Balance Support* (1)	188			195				

*Measure from left edge

4 ARMS	COMPONENT PLACEMENT	WIDTH up to 354 (in)											
		6'11"		8'6"		10'2"		11'9"					
	Adjustable Shoulders	28		130		28		140		24	164	23	164
	Mounting Brackets (6)	18	81	145	18	81	151	18	71	136	28	54	127
	Additional Mounting Bracket					Center		Center					
	Tube Balance Supports (2)	135		145		95		98					

MARISOL PATIO AWNING

Installation Manual

3 ARMS	COMPONENT PLACEMENT			
		13'5"		
	Adjustable Shoulders	24		
	3rd Adjustable Shoulder*	201*		
	Mounting Brackets (6)	18	71	124
	Additional Mounting Bracket	Center		
Tube Balance Support (2)	112			

4 ARMS	COMPONENT PLACEMENT	WIDTH up to 393 (in)																
		6'11"			8'6"			10'2"			11'9"			13'5"				
	Adjustable Shoulders	28	145		28	145		28	159		28	184		14	189			
	Mounting Brackets (6) (8)	18	89	161	18	89	161	18	60	128	171	18	60	128	176	9	60	128
Tube Balance Supports (2)	150			150			64			105			101					

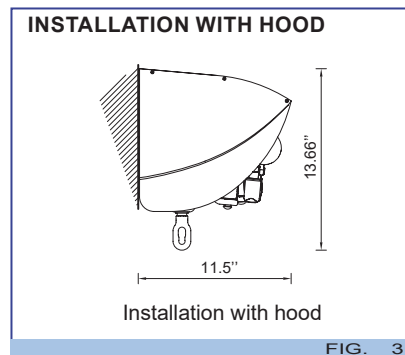
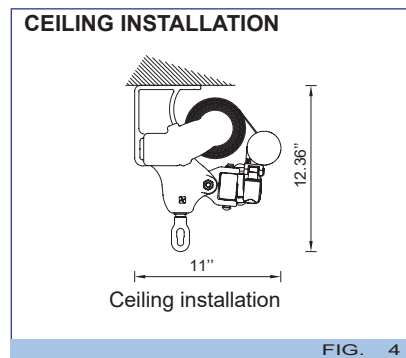
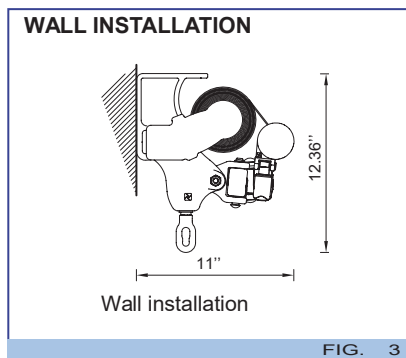
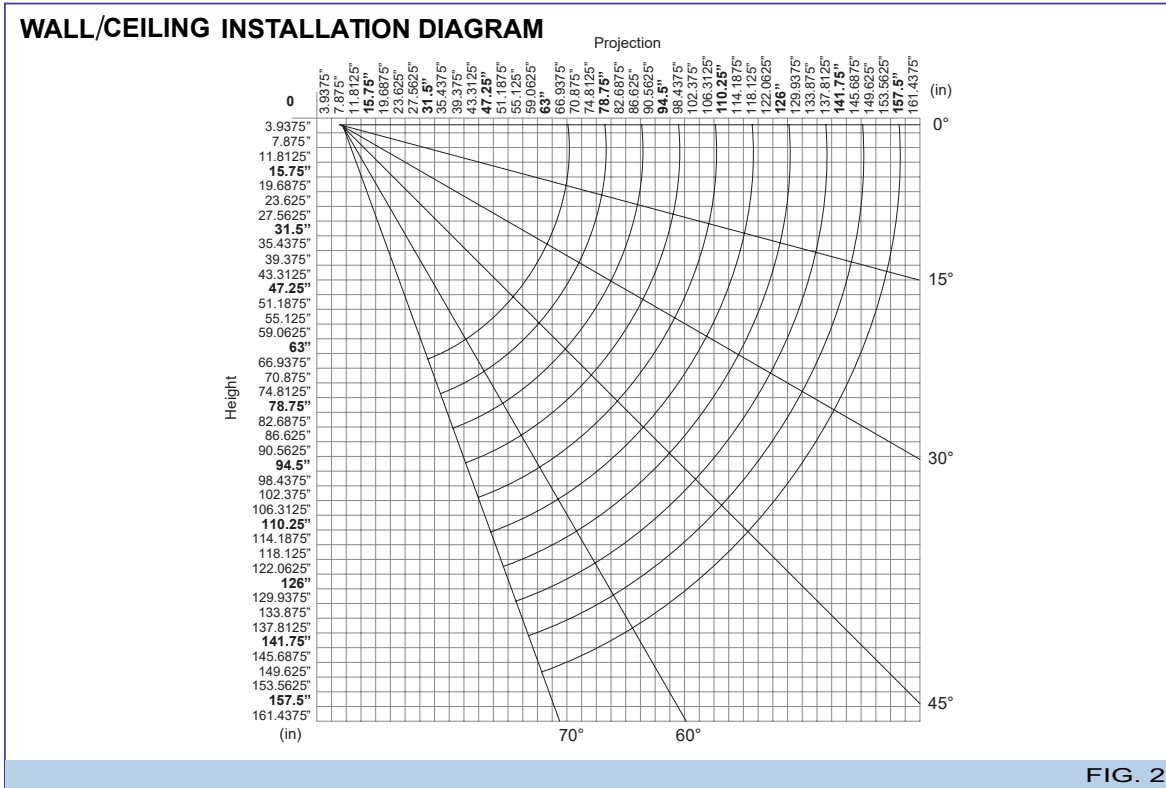
4 ARMS	COMPONENT PLACEMENT	WIDTH up to 433 (in)																	
		6'11"			8'6"			10'2"			11'9"			13'5"					
	Adjustable Shoulders	28	155		28	155		28	159		28	184		23	199				
	Mounting Brackets (6) (8)	18	89	166	18	89	166	18	61	128	171	18	61	138	191	18	61	147	207
	Tube Balance Supports (2)	159			159			165			106			111					
Additional Tube Balance Support							Center			Center									

6 ARMS	COMPONENTS PLACEMENT	WIDTH up to 472 (in)											
		6'11"				8'6"				10'2"			
	Adjustable Shoulders	28	130	185		28	140	178		18	153	168	
	Mounting Brackets (8)	18	81	143	205	18	21	143	205	8	81	143	181
	Additional Mounting Bracket*									228*			
	Tube Balance Supports (2)	135				145				85			
Additional Tube Support	Center				Center				Center				

5 ARMS		11'9"						13'5"					
	Adjustable Shoulders	17			183			12			187		
	5th Adjustable Shoulder*	260*						264*					
	Mounting Brackets (8)	18	78	139	193	7	78	139	193				
	Additional Mounting Bracket*	236*						236*					
	Tube Balance Supports (2)	105						99					
Additional Tube Balance Support*	274*						279*						

*Measure from left edge

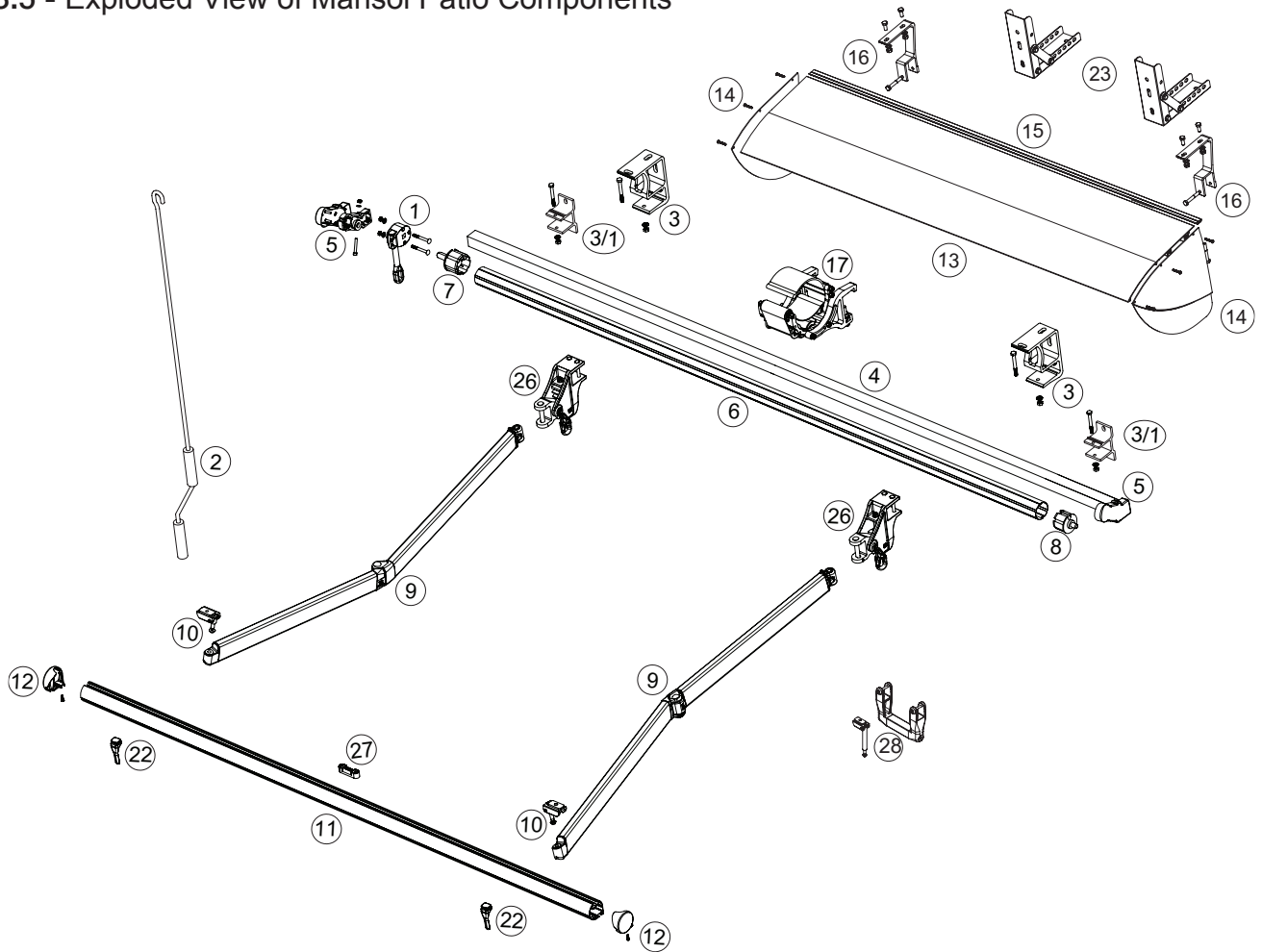
3.4 - Diagram of Covering and Footprint



MARISOL PATIO AWNING

Installation Manual

3.5 - Exploded View of Marisol Patio Components



- | | | | |
|-----|--------------------------------------|----|---------------------------|
| 1 | Gear | 12 | Front bar end covers |
| 2 | Hand brace | 13 | Hood |
| 3 | Ceiling brackets | 14 | End covers for hood |
| 3/1 | Wall brackets | 15 | Hood gasket |
| 4 | Square bar | 16 | Hood supports |
| 5 | Tube support bracket set with covers | 17 | Tube balance support |
| 6 | Tube | 22 | Arms picking runners |
| 7 | Square pin tube cap | 23 | Roof bracket |
| 8 | Round plate with round pin | 26 | Adjustable Pitch Shoulder |
| 9 | Marisol Patio arms with chain | 27 | Level |
| 10 | Runners for arms | 28 | Crossed Arms Kit |
| 11 | Front bar | | |

3.6 Mounting brackets

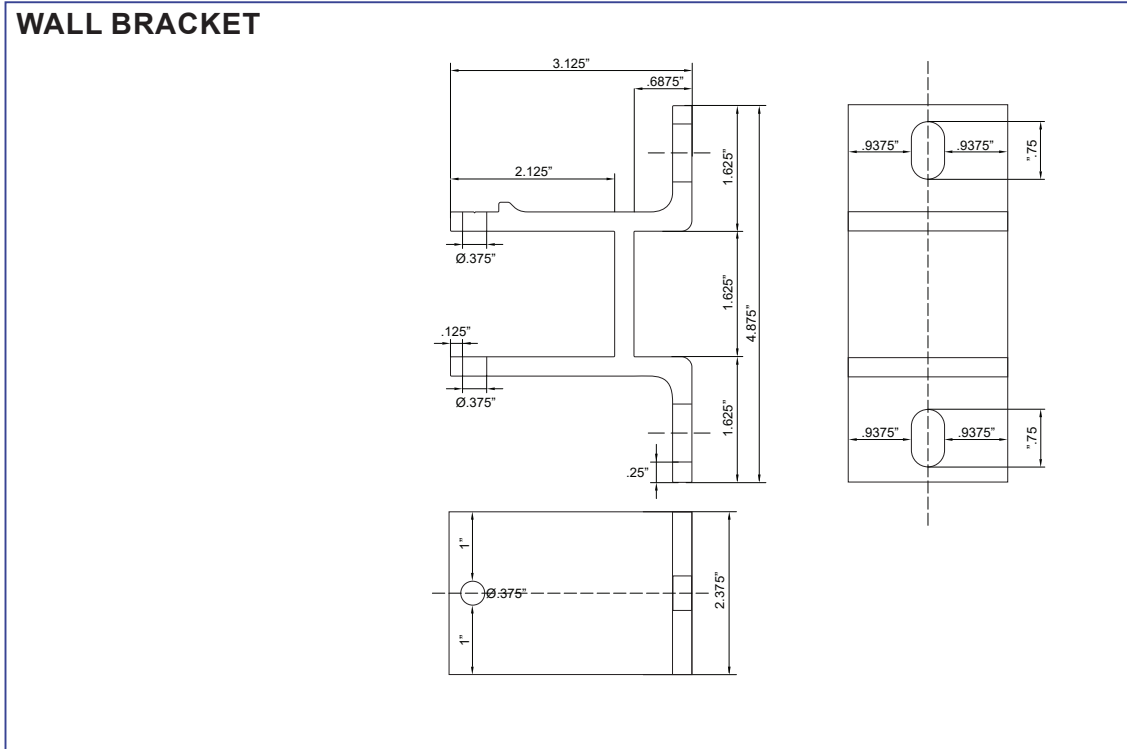


FIG. 1

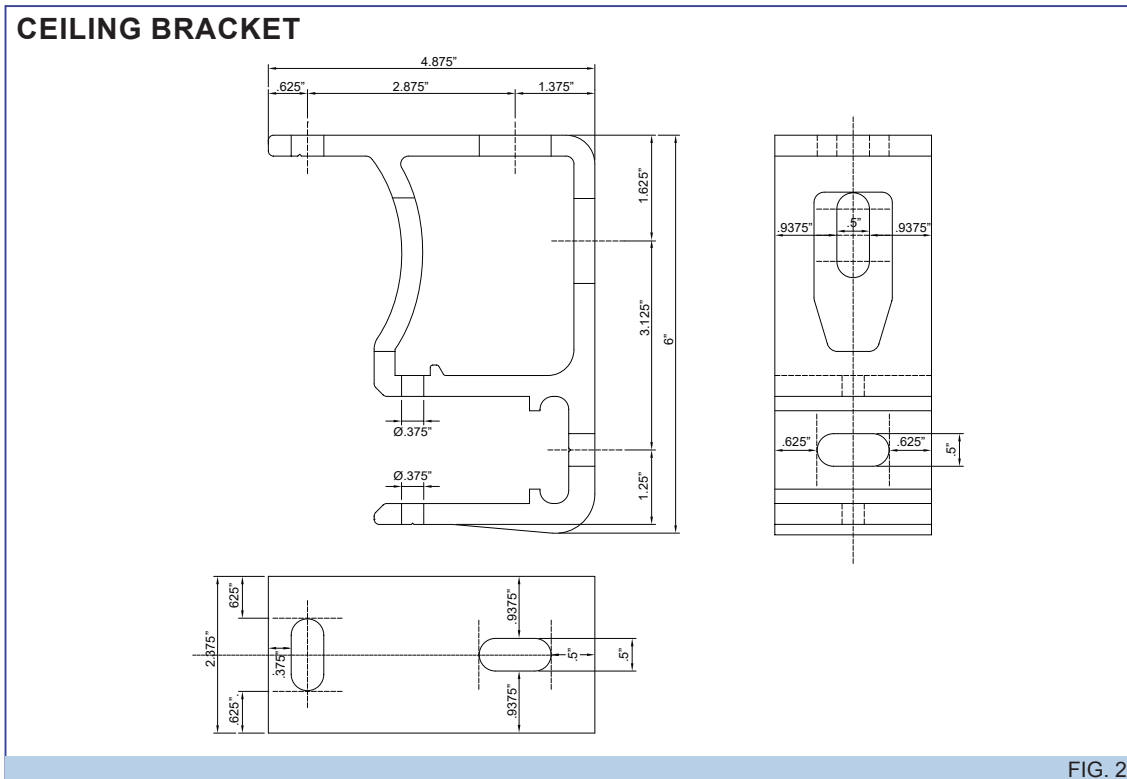


FIG. 2

4 INSTALLATION OF MANUAL AWNING

The instructions below refer to **wall-mounting**; ceiling mounting is the same. If any options are in use, **first read** Chapter 6 "Optionals"

⚠ CAUTION

Ensure a minimum space of 19.75 inches between the open awning and any fixed obstacle. The awning must be installed at a minimum height of 98.5 inches. If this is not possible, for awnings equipped with automations it is obligatory to install an acoustic CAUTION device.

⚠ INFORMATION AND PRECAUTIONS

Use the most suitable attachment hardware for the type of wall where the awning is to be installed.

⚠ INFORMATION AND PRECAUTIONS

For **CEILING INSTALLATION, DO NOT FASTEN THE BRACKETS TO THE BLOCKS.**

The awning may fall with the risk of serious injury to individuals and damage to the product.

⚠ INFORMATION AND PRECAUTIONS

The procedure described below refers to the model of awning with two arms. The operator must take the necessary measures for the installation of models with more than two arms (see the tables in Chap. 3.2).

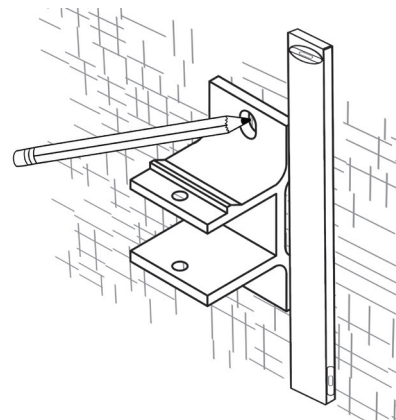
4.1 - Fastening brackets to wall

⚠ INFORMATION AND PRECAUTIONS

The instructions that follow are of a general nature and must therefore be adapted to the model of awning being assembled.

1) Before starting installation, take note of the following information, which is indispensable to find the right position for fastening the brackets:

- dimensions of the awning (see Chap 3.1 and Chap. 3.4)
- dimensions of the mounting brackets (see Chap. 3.6)
- number of shoulders (see Chap.3.2)
- side of awning where control is located;
- dimensions of the wall/ceiling where the awning is to be installed.



(For the shoulder and mounting bracket positions, see Chap. 3.3)

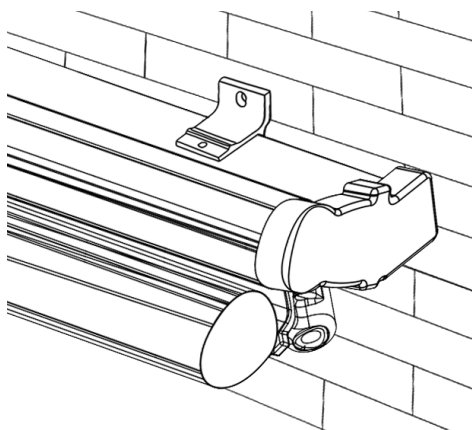
2) Using a string and a level, mark the position of the holes to be made on the wall.

⚠ INFORMATION AND PRECAUTIONS

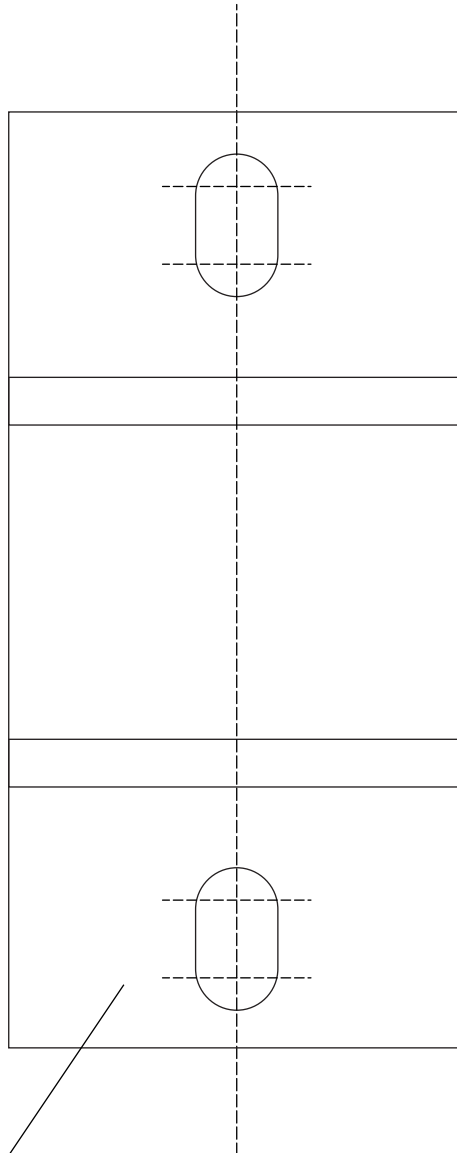
To facilitate the installation process, pages 13, 14 and 15 may be printed in A4 format for use as templates to find the best positions for the holes.

⚠ CAUTION

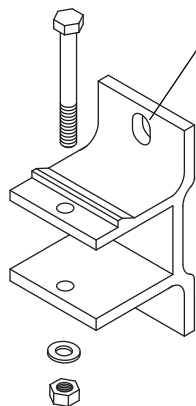
To avoid gross errors, make sure the print out scale is 1:1, checking the measurements indicated on the paper with a ruler or caliper in relation to the dimensions indicated on page 11.



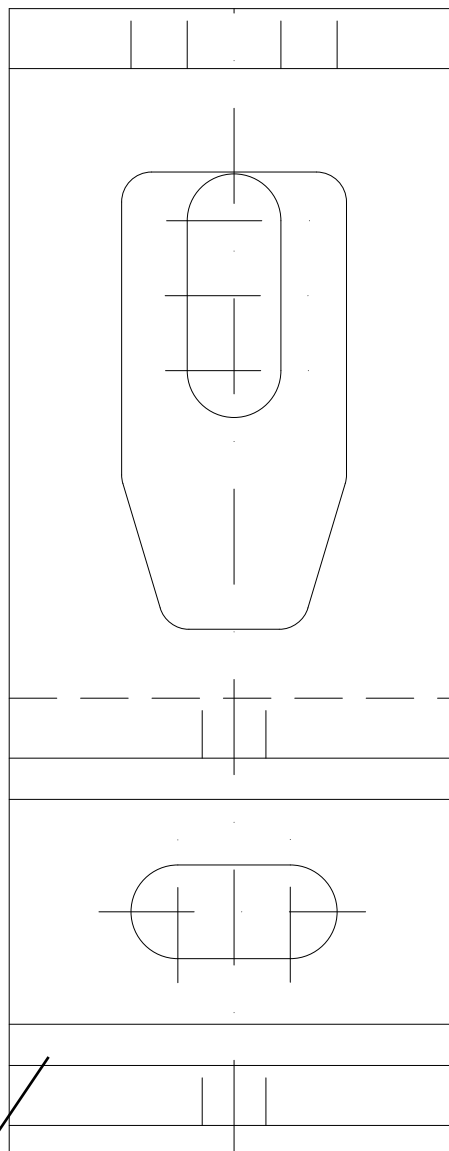
WALL BRACKET
TEMPLATE



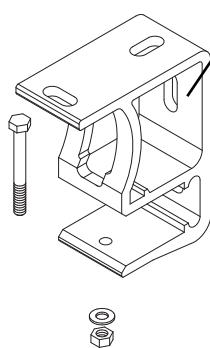
scale 1:1



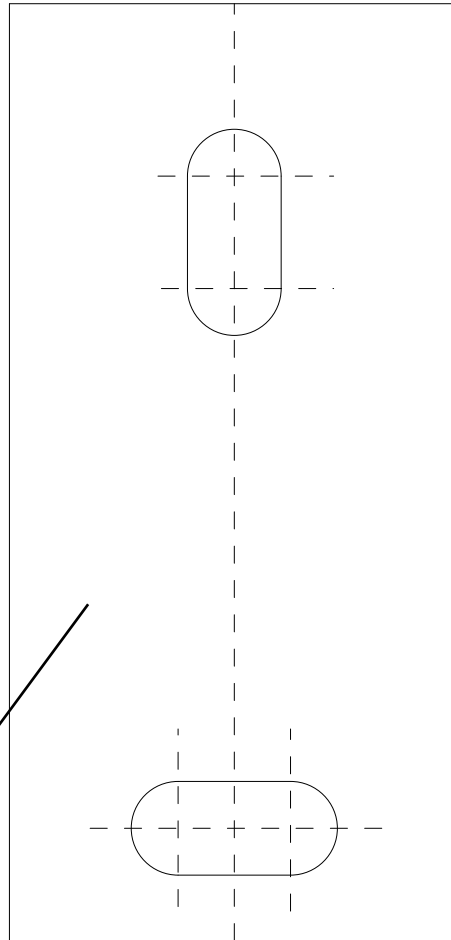
CEILING BRACKET
TEMPLATE



scale 1:1



CEILING BRACKET
TEMPLATE



scale 1:1

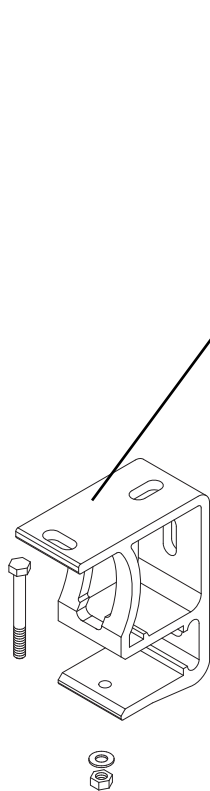




FIG. 2

- 3) Make the holes in the wall using suitable drill based on the type of wall and type of screw to be used.

4.2 - Wall installation

! INFORMATION AND PRECAUTIONS
 The instructions that follow are of a general nature and must therefore be adapted to the model of awning being assembled.

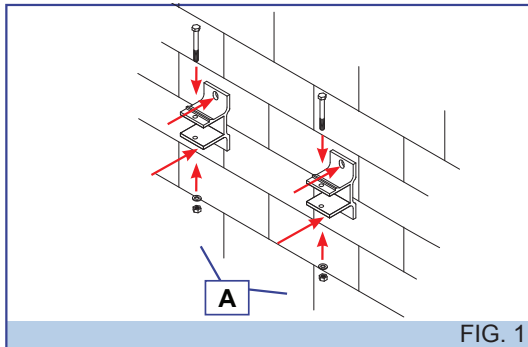


FIG. 1

- 1) Fix the brackets to the wall and insert the square bar (including the awning) on the wall brackets.
- 2) Affix the square bar to the brackets using the screws (A).



FIG. 2

- 3) Center the awning on the brackets referring to the table "Awning dimensions / component placement" in Chap. 3.3.

! INFORMATION AND PRECAUTIONS
 If the wall is off-square, it may difficult to install the awning on the wall brackets. It is therefore advisable to check the alignment of the brackets and to provide inserts to ensure proper alignment for good installation. Use a string to check alignment.

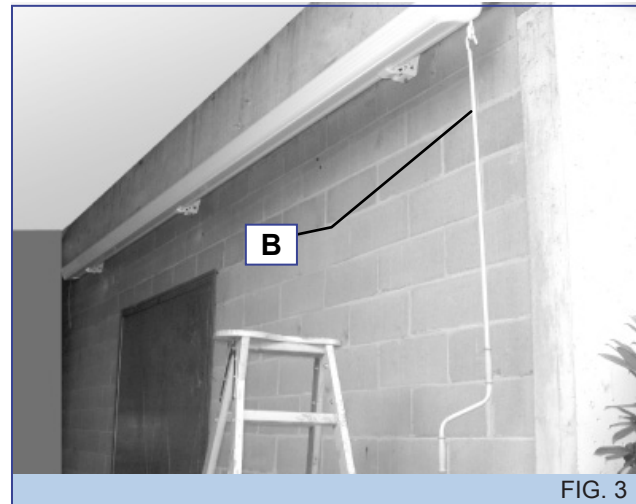


FIG. 3

- 4) For a manual awning, fasten the hand brace (B) to the gear.



FIG. 10

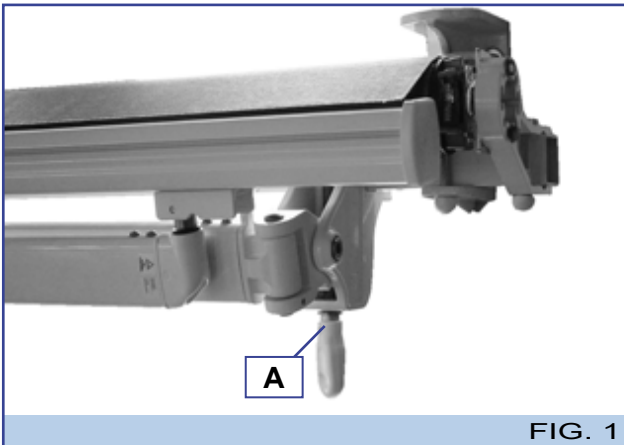
For ceiling-mounted awnings, follow the same instructions as for wall installation.

4.3 - Adjustment of Awning Inclination

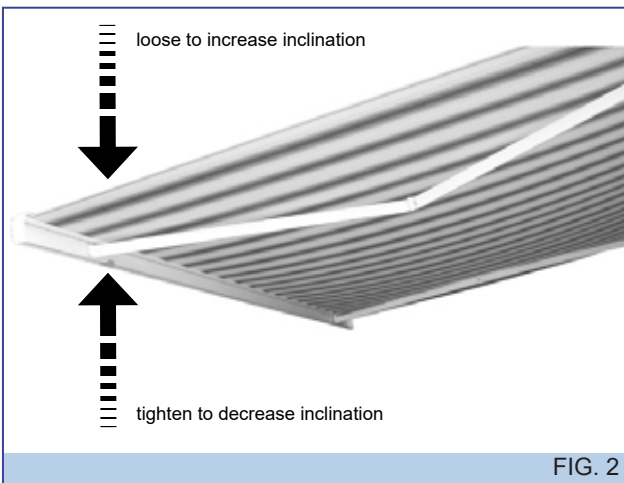
For this procedure, one worker will need to work on the brackets, and the other, only after opening the awning, will guide the front bar so as to raise or lower the awning easily.

⚠ CAUTION

Make sure that when opening/closing the awning, there are no individuals within its range of action who are not involved in the work.



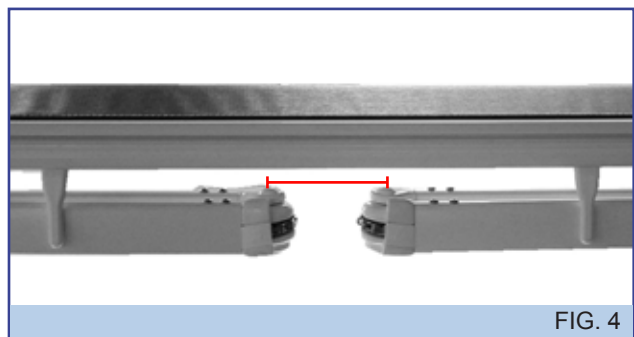
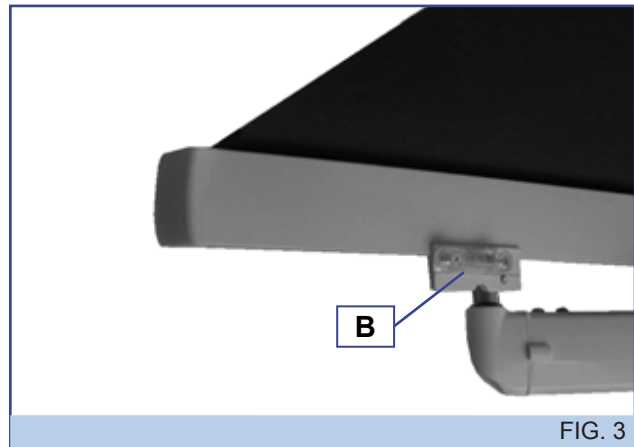
1) Adjust the awning inclination using the hand brace on the adjustable shoulder eyelet. (Fig.1 - A). Repeat for both arms.



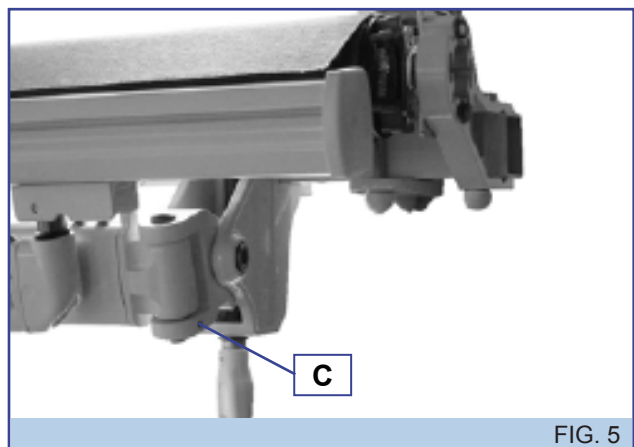
⚠ CAUTION

When adjusting the slope, start with one side making sure that it does not exceed 10" at the time, then adjust the other side bringing the front bar in the horizontal position, repeat the operation if necessary.

2) Using the level (Fig. 3 - B), positioned near the tip of the arm, check that the front bar is perfectly horizontal. If not, adjust the adjustable shoulder that corresponds to the arm that is not level, following the procedure described previously.



3) Check that the elbows of the arms are parallel.



4) If not, tighten the grub screw (C) to raise the elbow of the arm, and unscrew to lower it.
5) Repeat the same steps for the other end of the awning.

⚠ INFORMATION AND PRECAUTIONS

Arm alignment can also be performed with the awning closed as the grub screws are located externally to the adjustable shoulder.

5 INSTALLATION OF MOTORIZED AWNING

The instructions below refer to wall-mounting; ceiling mounting is the same. If any options are in use, first read Chapter 6 "Optionals"

CAUTION

IT IS PROHIBITED to install the motorized product in an explosive atmosphere.

CAUTION

Use a locking switch (with key) if the awning is installed in sensitive locations such as schools, colleges, hospitals, retirement homes, etc. If the awning is equipped with a radio remote control, keep it out of the reach of children.

CAUTION

If there is an opening/closing switch, it must be located in a protected position at a height of at least 59 inches above ground level and in a safe place.

CAUTION

The awning must be installed at a minimum height of 98.5 inches. If this is not possible, for awnings equipped with automations it is obligatory to install an acoustic CAUTION device.

5.1 - Limit switch calibration

INFORMATION AND PRECAUTIONS

Before installation, check that the limit switch is properly calibrated. If it requires adjustment, follow the instructions in the "Motor Manual".

5.2 - Electrical connections and installation

CAUTION

The electrical connections must be performed by qualified personnel and with the electrical energy disconnected.

INFORMATION AND PRECAUTIONS

It is prohibited to connect two or more motors to the same switch due to the risk of induced current which would result in damage to the motors.

Installation of the motorized awning involves the same procedure as for the manual awning, except for the application of the hand brace (Chap. 4.2, "Wall installation", step 4).

Instructions for electrical connection and programming the type of operation are described in the "Motor Manual".

6 OPTIONALS

6.1 - Automations

(Only for motorized awnings)

WIND SENSOR, RAIN SENSOR, SUN SENSOR, VIBRATION SENSOR: installation of these options are described in the manuals for automations and for requested controls.

CAUTION

For awnings with automations, the awning must be installed at a minimum height of 98.5 inches; if this is not possible, an acoustic CAUTION device must be installed.

7 SPECIAL MAINTENANCE

7.1 - Troubleshooting table

MANUAL AWNING

PROBLEMS	CAUSES	SOLUTIONS
The fabric does not roll up straight	Incorrect symmetry of arms Uneven fabric	See manual for Assembly, Chap. 7 Roll the fabric all the way back up
Noisy during operation	Loose bolt or attachment	Tighten all bolts or attachments

MOTORIZED AWNING

PROBLEMS	CAUSES	SOLUTIONS
The fabric does not roll up straight	Incorrect symmetry of arms Uneven fabric	See manual for Assembly, Chap. 7 Roll the fabric all the way back up
The awning does not fully close The awning does not fully open	Incorrect adjustment of limit switch.	See manual for motor
The motor is very noisy	Incorrect wiring Motor failed	See manual for motor
The motor shuts down after 4-5 min of continuous operation	Thermal protection of motor trips	Let motor cool off for a few minutes
The awning does not move	Power loss Incorrect wiring	Breaker and GF1 See manual for motor
The awning does not roll up in high winds.	Power loss to awning or sensor Sensor needs adjustment Faulty wind sensor	See instructions on automation
With radio control, the awning opens or closes by itself.	Sensor battery dead Sensor power loss	Replace battery in radio remote control